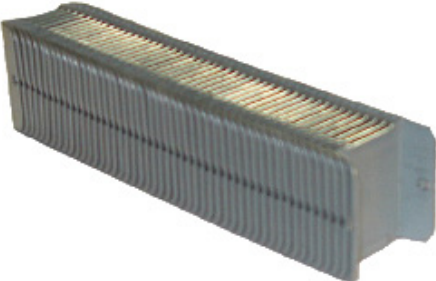


Seals for steel and plastic strapping




Seals

A seal is used to hold strap together (steel and plastic strap). By clamping (with or without notches, depending on the tool) the strap will be closed.


Advantages:

- The seal is easy to apply (piece by piece or by row, depending on the tool)
- The seals are galvanised, therefore protected against the weather.
- Packed by large numbers (depending on type per 1.000 up to 5.000 pieces)


Plastic strap




KHC 13/ 16
External dimensions (W x L)
14,4 x 28/ 17,8 x 28 mm
2000 p/ box
Tool: KHC 13/ 16




KHC 13/ 16




KON 13/ 16
External dimensions (W x L)
14,8 x 30,5/ 18,3 x 30,5 mm
1000 p/ box
Tool: KO 76/ 16



KO 76/ 16




CMK 623
4000 p/ box
Tool: CM 60S




CM 60S

Steel strap



PN 1325/ 1625/ 1925
External dimensions (W x L)
15,5x25/ 18,4 x 25/ 22,5 x 25 mm
5000 p/box
Tool: VZU/ VZO, CR 25



Rondofix + VZU/ VZO




PN 1940/ 3260
External dimensions (W x L)
22,8x40/ 35,5x40 mm
1000 p/ box
Tool: PVU/ PVO, CR 26




CR 19
External dimensions (W x L)
23x40 mm
1000 p/ box
Tool: CR 24



CR 24/ 26



CMS
5000 p/ box
Tool: CM 14



CM 14

Subject to changes.

Cyklop UK Limited
Unit 2, Generation Business Park
Barford Road
St. Neots, Cambridgeshire, PE19 6YQ

Phone: +44 (0)1480 216777
Fax: +44 (0)1480 216779
homepage: www.cyklop.co.uk
e-mail: info@cyklop.co.uk

CYKLOP
INTERNATIONAL

THE
STRAPPING
COMPANY

Versie 12/2006