

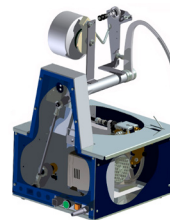


BUNDLING MACHINE
MODEL: AXRO FQC2

The AXRO-FQC2 is the latest development in the field of modern binding technology. This machine is provided with the well-known AXRO gripping and knotting technology, which has been successfully used for many years. The AXRO-FQC2 is provided with a renewed "feed-in" mechanism, which takes care of the product being binded properly, in spite of a too early binding timing. This unit is also equipped with a knotter-release system (KRS), which controls the release of the knot. Due to this there will be pulled minimally at the product, so that there will be no damages. Wear at the knotterunit is, thanks to the KRS, reduced to a minimum, so that the reliability increases. By placing the whole on a flat aluminium baseplate, the noise will be reduced strongly.

Advantages

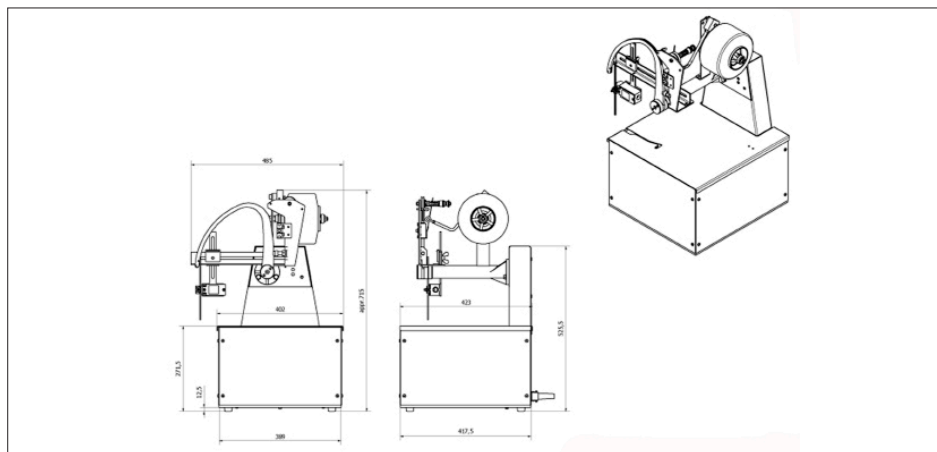
- Compact and light construction on a flat noisereducing aluminium baseplate
- Easy to built in a automatic system
- Very reliable because of the renewed "feed-in" mechanism and KRS system
- Resistant to wet and dirty products



Operation

Products are passed along the table surface through the pre-draped elastic string. The machine switches on: the needle arm pulls the elastic string behind the bundel in to the tying mechanism. The ends of the elastic string returns with the needle arm to the "up position" completing the cycle. The tied products will be removed.

Data



Capacity	up to 6000 cycles/ hour
Power supply	200-240 V, 50/ 60 Hz, 1 ph. 100-120V, 50/ 60 Hz, 1 ph.
Feed through	height 150 mm, depth 250 mm
Bench	Stainless steel
Machine weight	47 kg
Push-in	from left (standard) to right
Trigger	in tabletop
String tension	adjustable
Elastic string	Cylastic® PES / Cylastic® PC s1300 / Cylastic® 3K

Versions

- Vertical construction or construction upside down
- Stainless steel version or marine version
- Extended infeeddepth 35 or 60 cm

Options

- Top switch
- PLC version for contact exchange controle line
- "string-end" detection
- 4-wheel support frame

Subject to changes
Version 03/2017

WWW.CYKLOP.NL

INFO@CYKLOP.NL

+31 38 4675800

Cyklop Nederland B.V.
Benjamin Franklinstraat 5
8013 NC Zwolle
info@cyklop.nl

